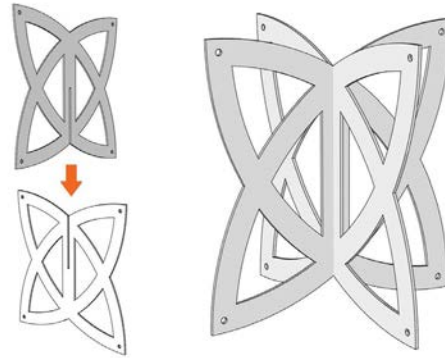


STEP ONE

Slide two FASTwall panels together to create one unit.

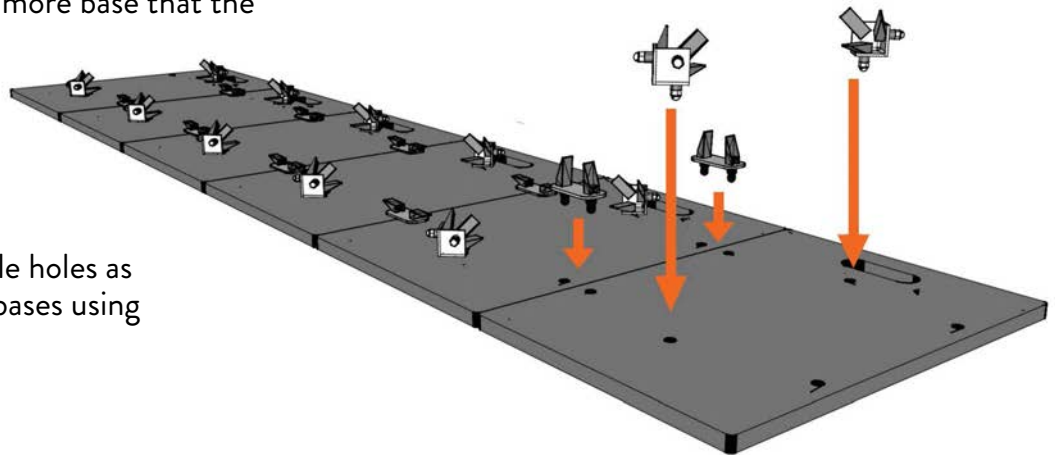


STEP TWO

Align desired width of bases in a row, with white feet facing the ground. Be sure that the handle holes are all aligned to the back of the FASTwall.

When aligning bases, place one more base than the width of the FASTwall.

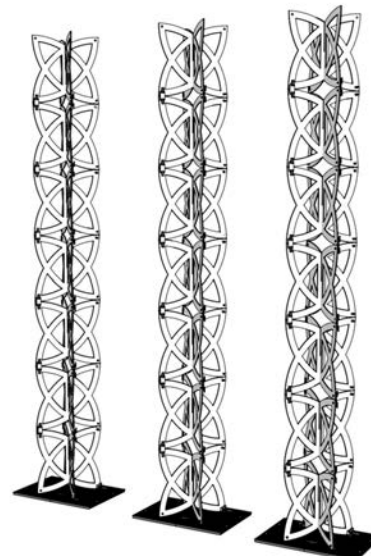
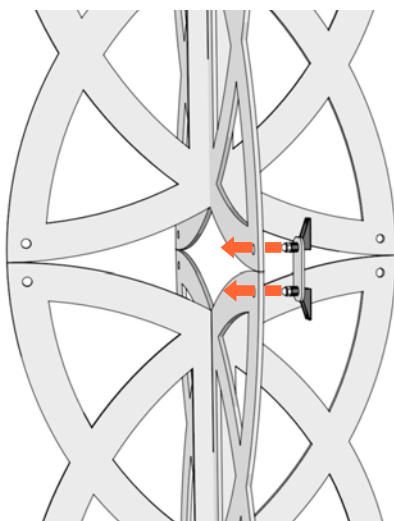
i.e. 5 units wide = 6 bases,
7 units wide = 8 bases, etc.



STEP THREE

Insert C3 connectors into middle holes as illustrated. Connect FASTwall bases using F2 connectors.

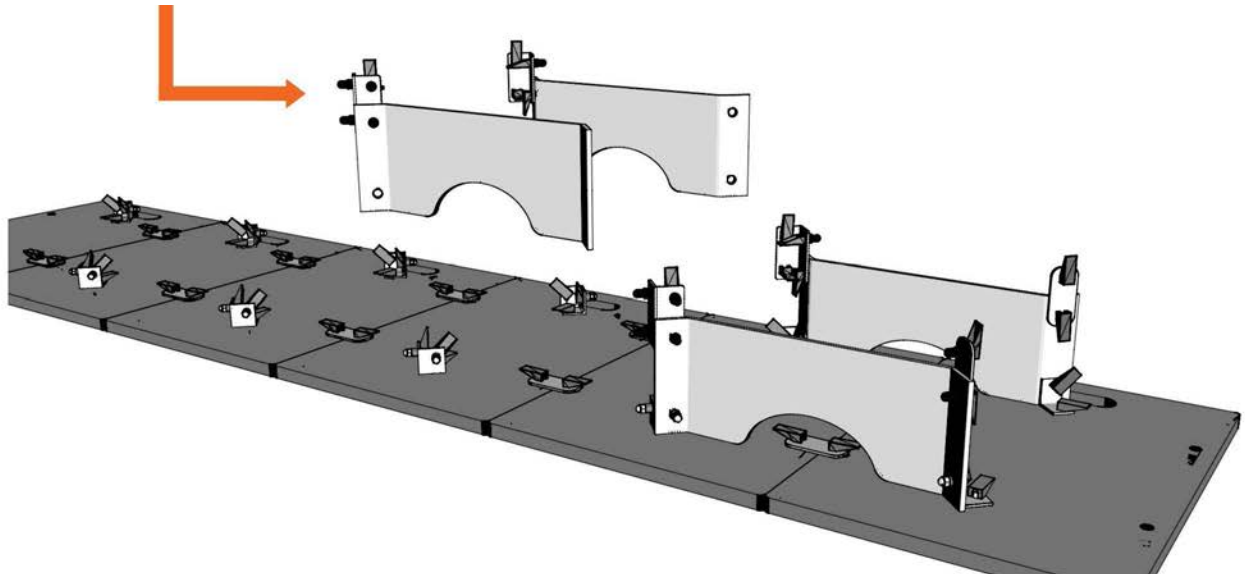
NOTE: If building FASTwall Columns, connect FASTwall panels using F2 connectors as shown.



STEP FOUR

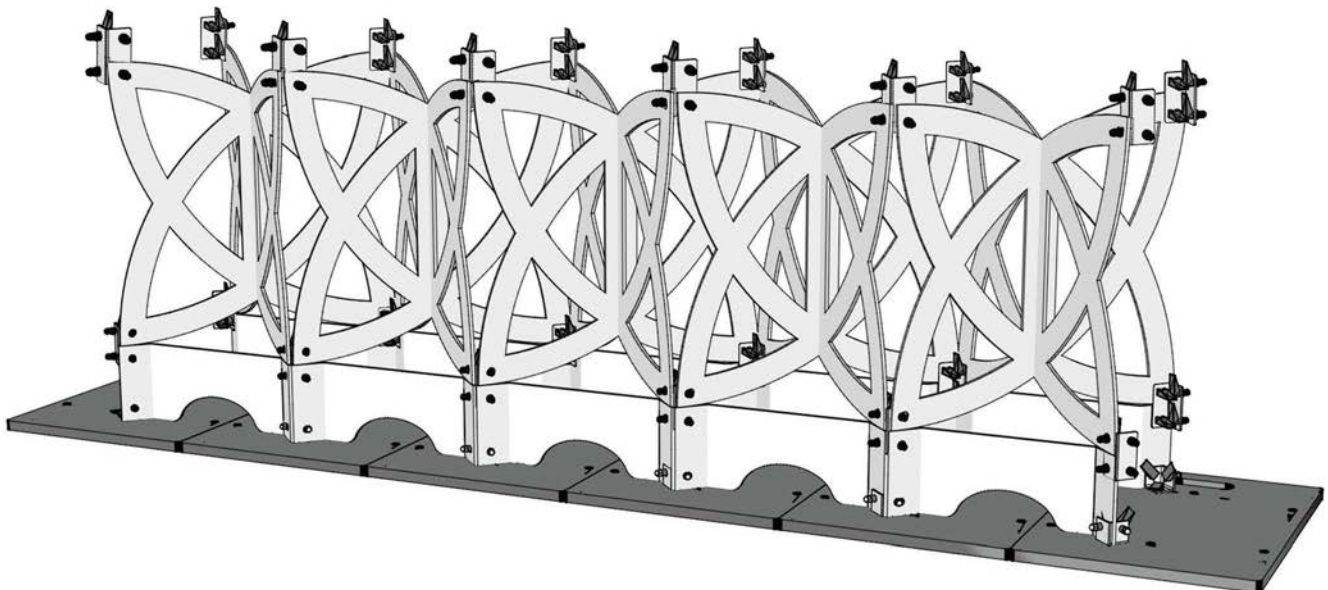
Connect risers to bases using C3 connectors, and C2 connectors on each end.

NOTE: Connecting C4 connectors to each riser as it is placed makes the following steps easier. If adding interior lighting to FASTwall, place lights inside risers at this point.



STEP FIVE

Use C4 connector and F2 connector on each end to continue assembling FASTwall.



STEP SIX

Continue building FASTwall one row at a time. Finish top row with C2 connectors.

DISASSEMBLY INSTRUCTIONS:

FASTwall **MUST** be disassembled from top down, in reverse order as the assembly process. Removal of bottom panels first may result in a toppling wall.

